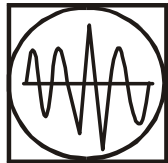


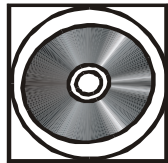
Emergency Backup Power Supply



For Use With Computer Loads Only



Power Surge/Noise Protection



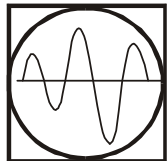
Intelligent Auto-Shutdown Software



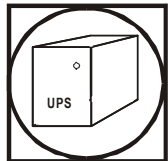
Internet Line Protection



Cost Efficiency



AVR Protection



Compact & Reliable Design

USER'S MANUAL



1st Edition

Uninterruptible Power System

NOTES



IMPORTANT SAFETY INSTRUCTIONS

Thank you for selecting this uninterruptible power system (UPS). It provides you with better protection for connected equipment.

Please read this manual !

This manual provides safety, installation and operating instructions than will help you derive the fullest performance and service life that the UPS has to offer.

Please save this manual !

It includes important instructions for the safe use of this UPS and for obtaining factory service should the proper operation of the UPS come into question.

Please save or recycle the packaging materials !

The UPS's shipping materials were designing with great care to provide protection from transportation related damage. There materials are invaluable if you ever have to return the UPS for service. Damage sustained during transit is not covered under the warranty.

SPECIFICATIONS

Capacity	VA	1500VA	2000VA	2500VA	3000VA
Input	Voltage	110VAC, 115VAC, 120VAC, 220VAC, 230VAC or 240VAC ±25%			
	Frequency	50Hz or 60Hz ±5%			
Output	Voltage (Batt. Mode)	110VAC, 115VAC, 120VAC, 220VAC, 230VAC or 240VAC ±5%			
	Frequency	50Hz or 60Hz ±1Hz			
	Waveform	Modified sine wave			
	Transfer Time	Less than 6ms (typical)			
Battery	Battery Type	12V/7AH *4PCS	12V/9AH *4PCS		
	Recharge Time	5 hours to 90% of full capacity			
Indicator	LCD	LCD indicator for line on, battery back-up, AVR protection, Overload and cut-off, Load and battery level			
Alarm	Battery Back-up	Sounding every 3 seconds			
	Battery Low	Sounding every 1 second			
	Overload	Continue beeping sound			
Protection	Overload	Fuse & current limited			
	Short Circuit	Fuse & current limited & cut-off			
	Batt. Low Cut-off	No battery drain after cut-off			
Physical	Dimension, D*W*H	530 mm*19**2U			
Environment	Operating Temperature	32°F-104°F at full load, 0~90% relative humidity (non-condensing)			
	Noise Level	Less than 40db (at 1 meter)			
Interface	Contact Closure	DB9 connector for connecting with iMate software			

CAUTION

- The UPS contains voltages that are potentially hazardous. All repairs should be performed by qualified service personal.
- The UPS has its own internal energy source (battery). The output receptacles may be alive even when the UPS is not connected to an AC supply.
- The UPS is suitable for computers and electronic equipment with substantially rectifier or capacitive loads, not suitable for electronic equipment with significant inductive loads, such as motors & fluorescent lamps.
- Be sure to operate within the power rating of the UPS. Below 1/2 or 1/3 of rated power is recommended for longer backup time & longer battery life.
- Do not place the UPS near excessive humidity, under sunshine, or close to heat-emitting sources.
- If the UPS is out of order, please detach power cord and consult your dealer right away. Do not remove cover if there is no serviceable part inside.
- The unit should be supplied by grounded source. Do not operate the unit without ground source.
- The socket-outlet should be installed near the equipment and be easily accessible.
- Do not plug the UPS power cord into itself. That will result in a safety hazard.
- Installation should be performed by a qualified technician or electrician in accordance with local electrical codes.

BATTERY FACTS

The battery is the only periodically serviceable parts in the UPS. An expected life is approx. 3~5 years. However, frequent long discharges or ambient temperatures above 80°F will shorten battery life. Therefore, it is recommended to replace the batteries every 3 years after initiating the unit.

Recharge batteries every 3 months is necessary if it is not in use because it may cause batteries over-drain.

WARNING

Only a qualified technician should replace the battery. Batteries have high short-circuit current capacity; mistakes in connecting or disconnecting can cause connections to arc or weld and could cause severe burns.

STORAGE

The UPS should only be stored if the battery is fully charged. Avoid storage temperatures above 80°F as battery life is significantly shortened. Every 90 days remove the unit from storage and plug it in for 24 hours to recharge the batteries. Batteries may be damaged if left in storage and not recharge every 90 days.

IMPORTANT NOTICE

Please use same type and same rating of batteries for replacement.
Do not replace it with the battery that exceeds specified rating.

SYSTEM CONCEPT

The purpose to present this chapter is to give you more precise conception about how UPS works..

1. Block Diagram

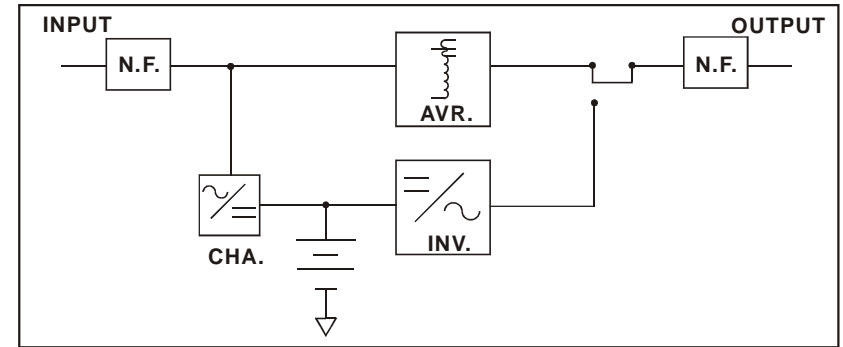


Fig. 1 shows how UPS works.

2. Normal Operation

There are two main loops when AC Utility normal the AC output loop and the battery charging loop. The AC output gets power from AC utility input and pass through AVR to support power to load. In the same time, the AC utility input is converted by AC/DC CHA and support charging power to charge batteries.

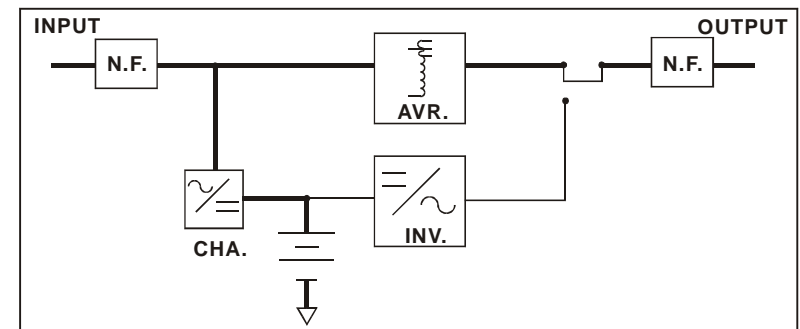


Fig. 2 shows how the UPS works when AC Utility normal.

INSTALLATION AND OPERATION

Upon receipt of the UPS, inspect the shipping carton for damage. If there is any obvious damage, immediately report it to the selling dealer or the delivering carrier. If there is no damage to the shipping carton, unpack the unit and inspect the unit for damage.

The UPS is designed for installation in a protected environment within a temperature range from 32°F to 104°F and relative humidity of 0–90% without condensation. Do not block inlets and outlets. Install the system in a location free from excessive dust and chemical fumes.

Check the identification label to verify the UPS voltage and power rating match the available line voltage and load requirements.

Installation:

1. Check if the main switch on the UPS front panel is in the off position and insure that the voltage of the AC utility source corresponds to the nameplate on the UPS rear panel.
2. Plug the power cable into the grounded socket. If indicators of LINE-ON & CUT-OFF LCD light on, it mean AC power is normal, although UPS is under CUT-OFF status, it still will automatically start to charge by itself.
3. Push the main switch, then the Load Level LCD will light on for 2 seconds and CUT-OFF LCD will light off. The UPS will then get ready and start to work normally.
4. Connect your PC with UPS, and then turn on PC. Be sure to check the Load Level LCD indicator and DO NOT OVERLOAD it over 100%. To simulate AC failure (Simply by disconnecting the AC power) can help to insure whether UPS is in good condition or not. It is designed to alarm every 3 seconds and with BACK-UP LCD light on when simulation starts. If the CUT-OFF LCD is on, it means UPS fault or BATTERY fault. Then you have to contact your local service center
5. When battery approaches low level, alarm will beep every second until auto shut down
6. The 4 conditions UPS will automatically shut down:
 - a. Battery low
 - b. Short circuit
 - c. Overload
 - d. UPS fault

OVERVIEW

Front Panel

1. **Master Power Switch:** Turn on / off the UPS.
2. **Line-On:** AC Normal .
3. **AVR Protection LCD:** When AVR is working under protection mode, the light will turn on.
4. **Back-Up:** Battery in back-up
5. **Over Load:** If the UPS is overloaded, the light will turn on and the alarm will sound continuously.
6. **UPS Cut-Off:** Overload or Cut-off
7. **Battery Level:** A bar graph showing how much of the UPS battery is being used.
8. **Load Level:** A bar graph showing how much of the UPS power is being used.
9. **Hot swap battery**
10. **UPS Test Switch:**When UPS is working under AC mode,it also activates the UPS's self-test by press the bottom.

Rear Panel

1. **Outlets**
2. **AC Input**
3. **AC Fuse**
4. **Tel / Modem Spike Protection Port:** Telecom transfer ports provide users to extend the applications.
5. **Communication Interface Port:** This socket combines relay contact signals and RS-232 signals(Optional) on DB9 connector.
6. **UPS Function Set up**
7. **USB Port**
8. **Surge Protection Only**
9. **External Battery Connector**

CONTENTS

	PAGE
1. CAUTION.....	1
2. INTRODUCTION	
SYSTEM DESCRIPTION.....	2
FEATURES.....	2
3. SYSTEM CONCEPT	
BLOCK DIAGRAM.....	3
NORMAL OPERATION.....	3
AC UTILITY FAILURE.....	4
4. OVERVIEW	
FRONT PANEL.....	5
REAL PANEL.....	5
PICTURE.....	6
5. INSTALLATION AND OPERATION.....	8
6. COMPUTER INTERFACE.....	9
7. BATTERY FACTS.....	10
8. SPECIFICATIONS.....	11
9. TROUBLE SHOOTING.....	13

TROUBLE SHOOTING

If the UPS failed to operate properly, please review the following checks firstly. If the problem remains, please consult sales agent for service.

- Is the Master power switched on?
- Is the UPS plugged into a correctly working outlet?
- Is the line voltage within the rating specified?
- Is the fuse on the rear panel blown?
- Is the UPS over loaded?
- Is battery not fully charged? Dead battery? Charger failure?

Please provide the following information when call for service.

1. Model number, serial number.
2. Date of the problem occurred, date of purchase.
3. Full description of the problem including load, LCD, and alarm status, installation condition, working environment, etc.

Trouble-Shooting Chart		
Problem	Possible Cause	Caution To Take
No light, and no alarm (UPS not on)	Front panel switch in off position.	Turn on switch.
	Rear panel fuse burnout.	Replace fuse restart UPS.
	Power cord lose	Check input power.
No "Line-on LCD" light, and alarm beeps every few seconds.	Power cord lose	Check input power.
	AC Fuse burnout.	Replace fuse, if problem remains, call for service.
Backup time is less than the rating.	Battery is not fully charger failure.	Recharge the battery for at least 6 hours, re-test the backup time. If problem remains, call for service.

INTRODUCTION

System Description

The product is line interactive UPS with the newest technology and powerful function. The Line Interactive UPS is with AVR function allows input voltage range from 75% to 125%, including on line voltage boost-up & buck down. An ideal protection equipment for critical connected loads.

In addition, This UPS provides advanced single telephone line or modem surge suppression through the modular connectors on the back panel.

The Line Interactive UPS and iMate monitoring software (Optional kits) makes our computer operate intelligent and provides you with the ability of perfect protection of your critical devices.

Features

- Line interactive design.
- User-friendly LCD display.
- Provide boost and buck AVR to stabilize input voltage.
- Provides lightning, surge, overload, and short-circuit protection.
- Built-in CCCV battery charger and battery over drain protection.
- No load auto shutdown (Dip switch setup).
- Load level and Battery level display.
- Buzzer alarm auto-reset (Dip switch setup).
- Auto restart when AC recovery.
- Cold start function (Dip switch setup).
- Tel / Modem / Fax / Internet surge suppression.
- Option Bundle software : Automatically save your valuable files before auto shutdown.

SPECIFICATIONS

Capacity	VA	800VA	1000VA	1200VA
Input	Voltage	110VAC, 115VAC, 120VAC, 220VAC, 230VAC or 240VAC ±25%		
	Frequency	50Hz or 60Hz ±5%		
Output	Voltage (Batt. Mode)	110VAC, 115VAC, 120VAC, 220VAC, 230VAC or 240VAC ±5%		
	Frequency	50Hz or 60Hz ±1Hz		
	Waveform	Modified sine wave		
	Transfer Time	Less than 6ms (typical)		
Battery	Battery Type	12V / 7AH *2PCS		12V / 9AH *2PCS
	Recharge Time	5 hours to 90% of full capacity		
Indicator	LCD	LCD indicator for line on, battery back-up, AVR protection, Overload and cut-off, Load and battery level		
Alarm	Battery Back-up	Sounding every 3 seconds		
	Battery Low	Sounding every 1 second		
	Overload	Continue beeping sound		
Protection	Overload	Fuse & current limited		
	Short Circuit	Fuse & current limited & cut-off		
	Batt. Low Cut-off	No battery drain after cut-off		
Physical	Dimension, D*W*H	530 mm*19**2U		
Environment	Operating Temperature	32°F-104°F at full load, 0~90% relative humidity (non-condensing)		
	Noise Level	Less than 40db (at 1 meter)		
Interface	Contact Closure	DB9 connector for connecting with iMate software		

COMPUTER INTERFACE

3. AC Utility Failure

If AC utility fails, the UPS quickly detects the problem and activates the inverter. The inverter. The DC/AC inverter changes DC power from the batteries into AC and provides continuous uninterruptible power to load.

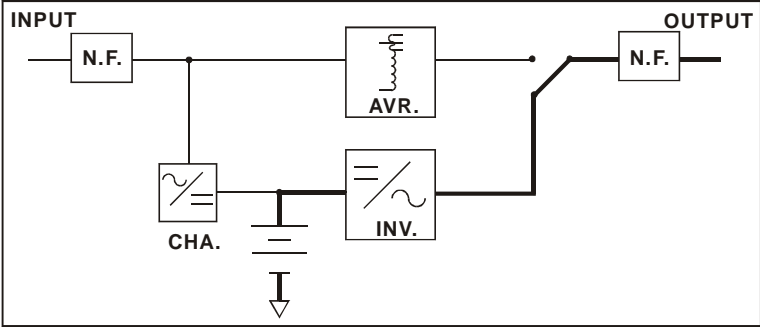


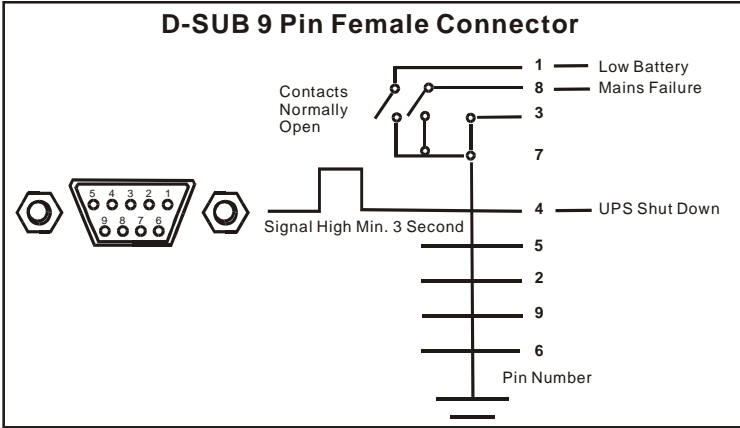
Fig. 3 shows how the UPS works when AC Utility Failure

The computer interface (DB9 port) on the back of the UPS may be connected to a host computer. This port allows the computer to monitor the status of the UPS and control the operation of the UPS. The iMate software and M2502 Cable), provide complete On-Screen power management to the UPS and computer systems. Its major functions normally include some or all the following:

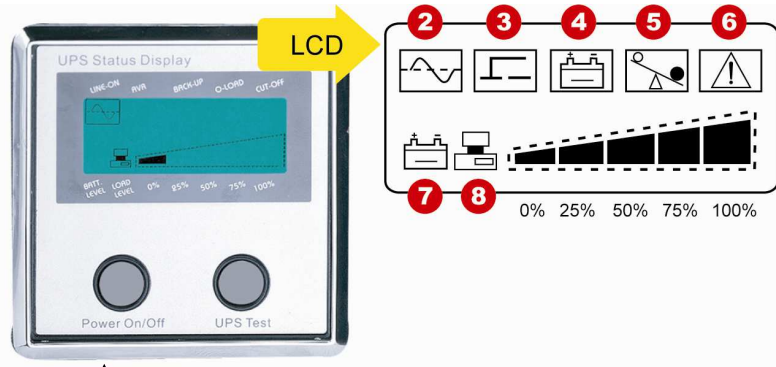
- Real-time UPS status on screen.
- All history records in memory.
- Auto orderly shutdown for computer & UPS.
- Multi-server support.
- Auto file save even without filename preset.
- Scheduled switch on/off daily or weekly.

Pin out information:

PIN#	Description	I/O
PIN1	Battery low, normally open, active close	Output
PIN2	N.C.	
PIN3	Common Ground	
PIN4	Remote shut down, keep this pin high (+5~+12V) for 3S will turn off the UPS	Input
PIN5	N.C.	
PIN6	N.C.	
PIN7	Must keep in high state	Input
PIN8	Line fail, normally open, active close	Output
PIN9	N.C.	



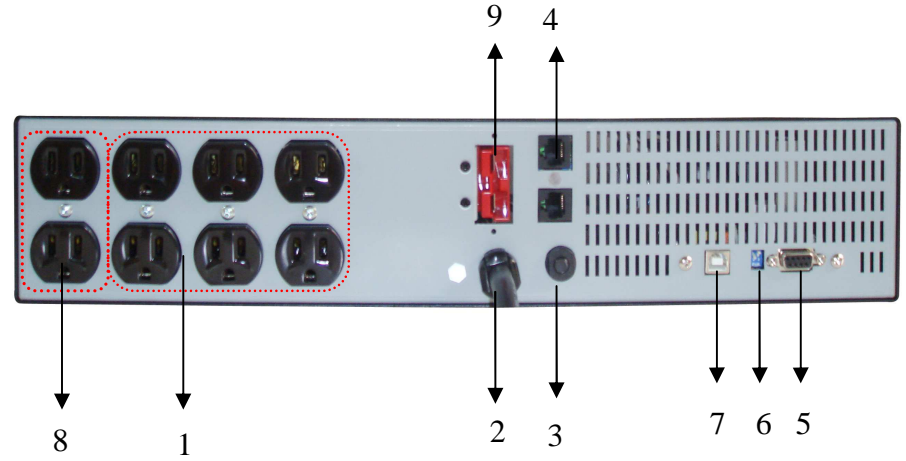
**Picture:
Front Panel:**



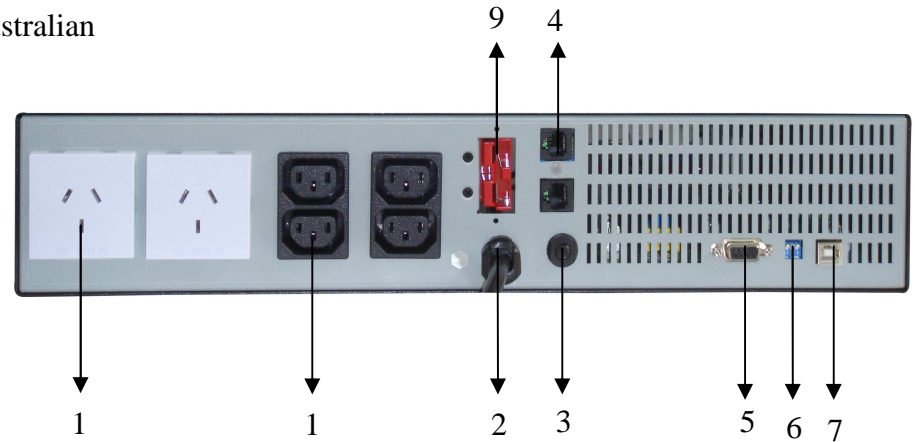
1 10

9

**Rear Panel:
Nema 5-15R**



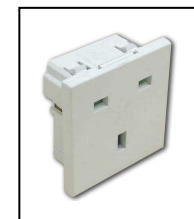
Australian



Socket



German



U.K.